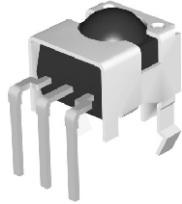
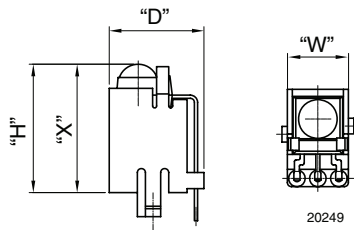


# IR Receiver Modules for Remote Control Systems



19328



20249

## FEATURES

- Compliant to RoHS directive 2002/95/EC and in accordance to WEEE 2002/96/EC



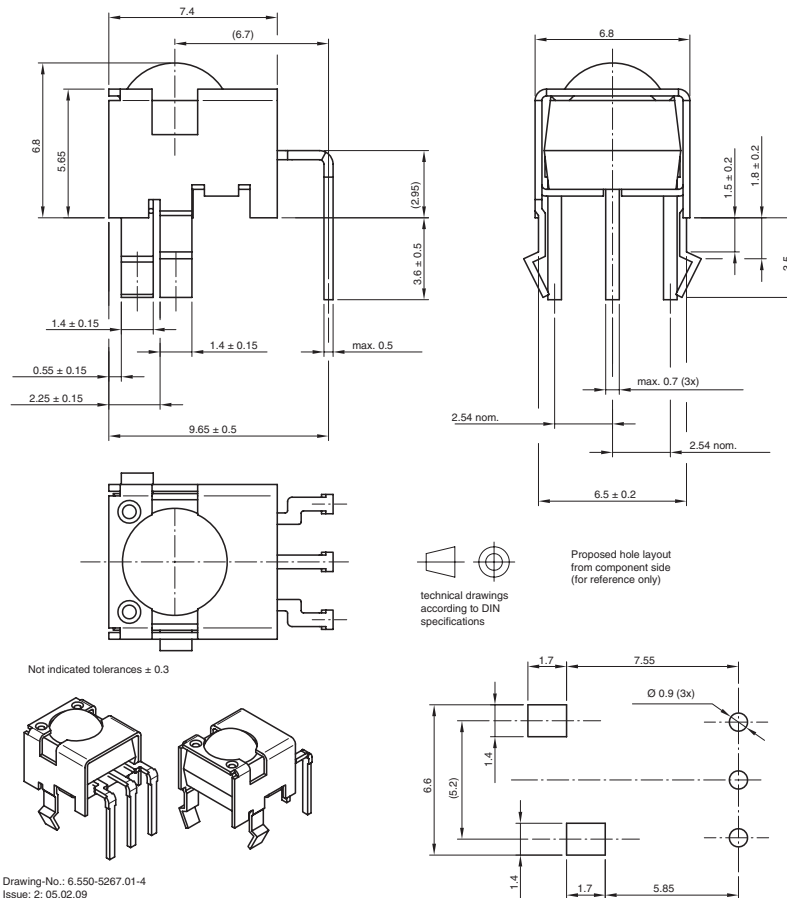
## AVAILABLE FOR:

- TSOP34...
- TSOP4....
- TSOP32...
- TSOP2....

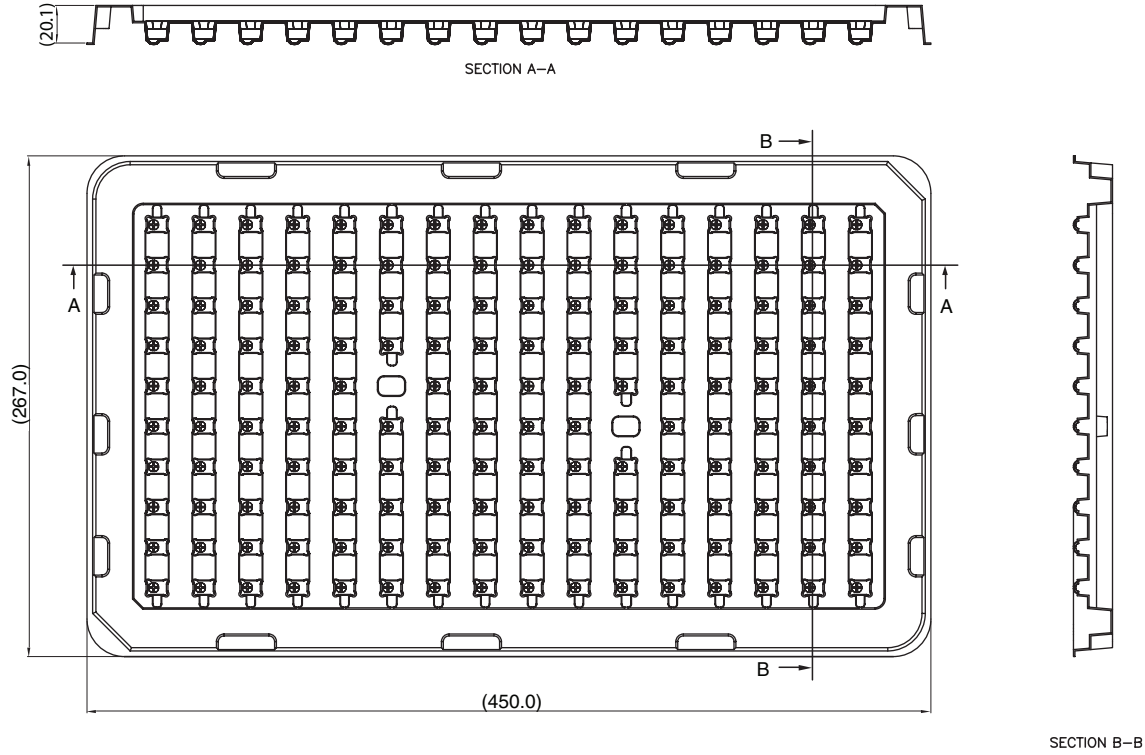

**RoHS**  
COMPLIANT

NAME	LENS AXIS (X)	VIEW	TYPE	HEIGHT (H)	WIDTH (W)	DEPTH (D)
CZ1	6.8	Top	Holder	6.8	6.8	9.9

## MECHANICAL DIMENSIONS in millimeters

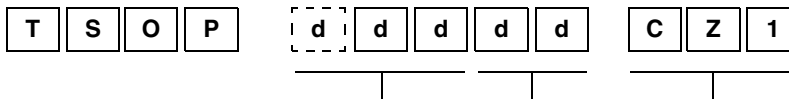


**PACKAGING DIMENSIONS** in millimeters



Drawing-No.: 9.800-5089.0-2  
 Rev. 1; Date: 10.09.04  
 20354

**ORDERING INFORMATION**



2 or 3 digit product series    2 digit frequency    Holder type

**Note**

d = "digit", please consult the list of available series on the previous page to create a valid part number.

**Example: TSOP14838CZ1**

**PACKING QUANTITY**

- 158 pieces per tray
- 7 trays per carton